

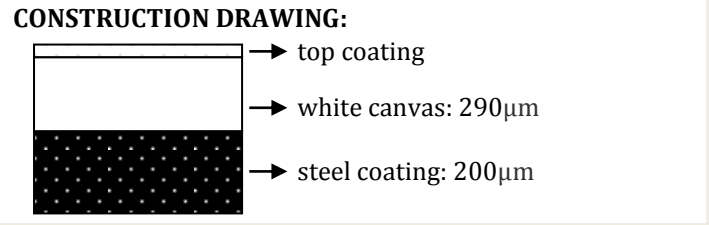


**MANUFACTURER NEWLIFE MAGNETICS**

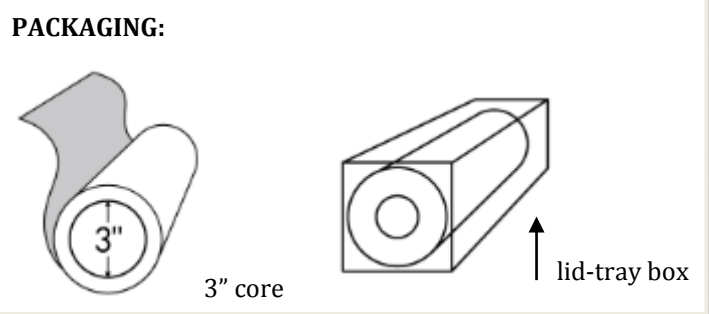
**MACO MAGNETIC DISPLAY SYETEM  
SPECIFICATION SHEET**

MACO STEEL CLOTH SERIES **NS-WCV49(019)** Edition: A0 NO: NMEQS-MACO 190

- FEATURES AND ADVANTAGES:**
- White canvas bonded to steel sheeting with higher strength, compatible for pigment, UV curable and Latex printing.
  - Steel sheeting is attracted to magnets, easy to apply, remove and change, without leaving any residue.
  - Infinite magnetic receptivity, material will not rust.
  - Premium canvas texture, good for indoor display, wall coverings, and environmental graphics.



- STANDARD SIZE:**
- 30M×1270mm 100F×50inch
  - 30M×1524mm 100F×60inch



- PRINTING INDEX:**
- compatible
  - △ testing required
  - × not compatible

	(ECO) SOLVENT	UV CURABLE	LATEX	DYE/PIGMENT	OFFSET/FLEXP	SCREEN PRINT	TONER BASED
	×	○	○	○	○	○	×

**MAGNETIC DATA:**

Lifting Weight: ≥7 (g/cm<sup>2</sup>)  
 \* Condition: the standard test tool is isotropic rubber magnet 0.7mm (holding strength is about 40g/cm<sup>2</sup>), test equipment is Tensile Strength Tester.

**PHYSICAL DATA:**

Total thickness	490µm (±49)
Weight	810g/M2 (±80)
Whiteness	[75, 85]
Gloss 60°	[2, 5]
Opacity	100%
Water resistance	Medium-high

- PROCESS AND STORAGE:**
- Working condition: temperature 15°C/59°F to 30°C/86°F, and relative humidity 30% to 60%.
  - Application condition: temperature change is within 30°C/86°F daily, relative humidity change is within 30%.
  - Storage condition: Original packaging, avoid direct sunlight, temperature 10°C/50°F to 35°C/95°F, relative humidity 20% to 70%.
  - Shelf life: 12 months under recommended storage condition. Unfinished material should be repackaged, and used within one month.

**NOTICE:**

- Not recommend for outdoor use or in high humidity areas (humidity over 80%).